

4

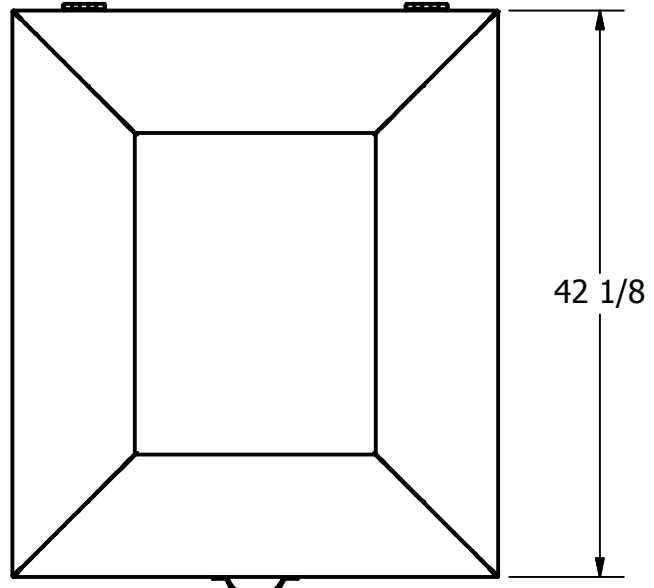
3

2

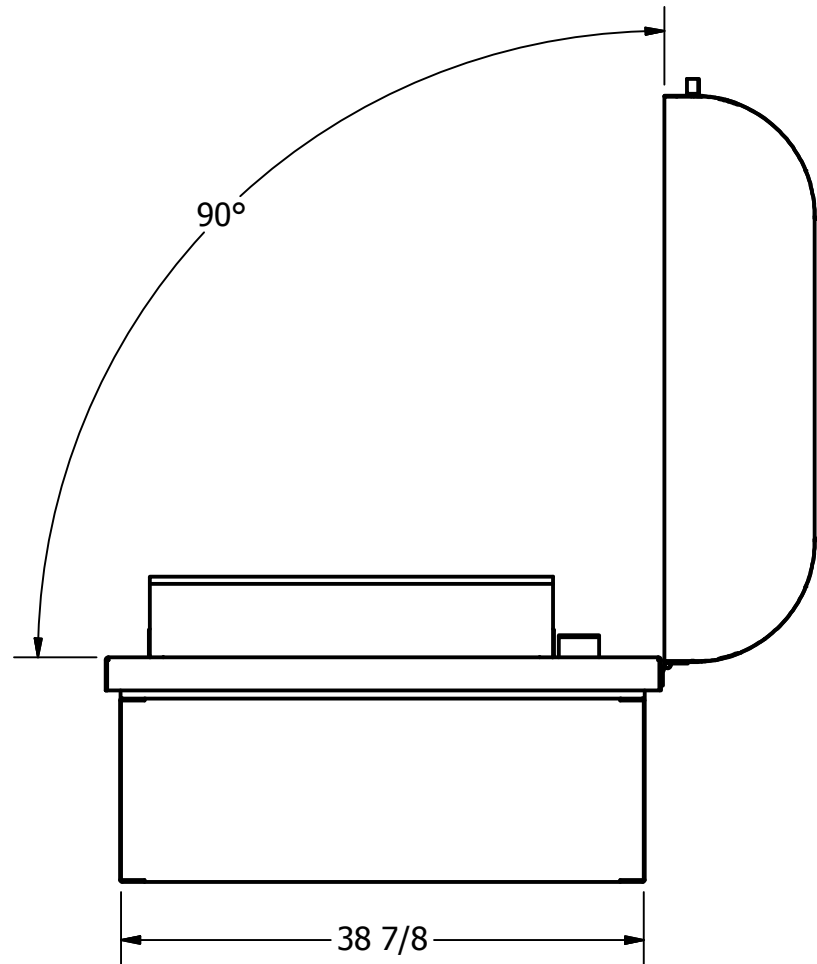
1

PARTS LIST

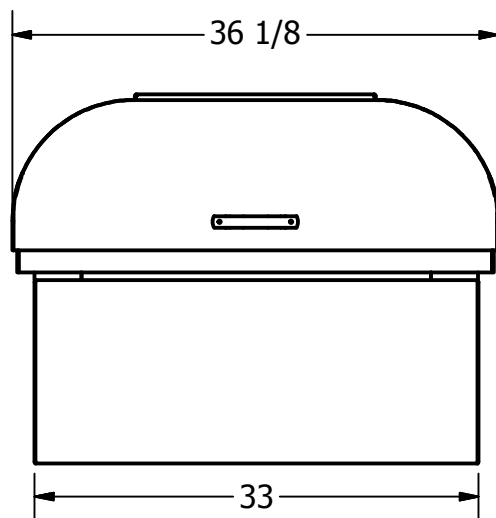
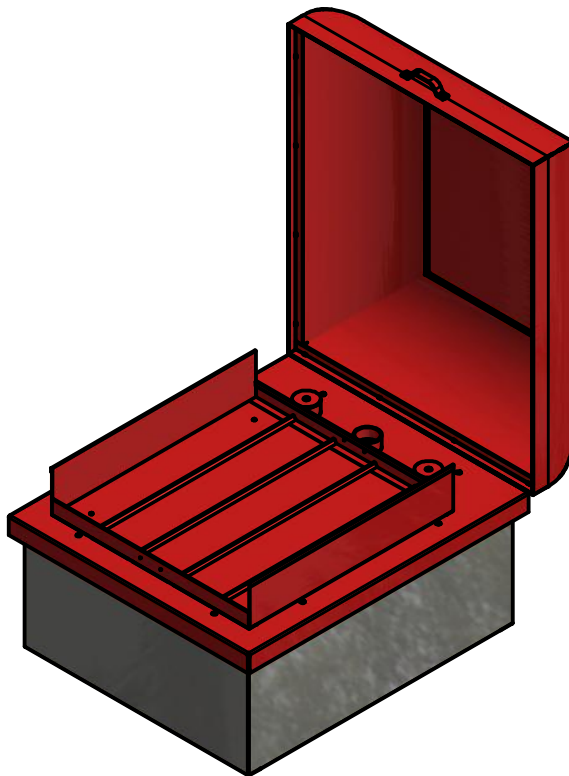
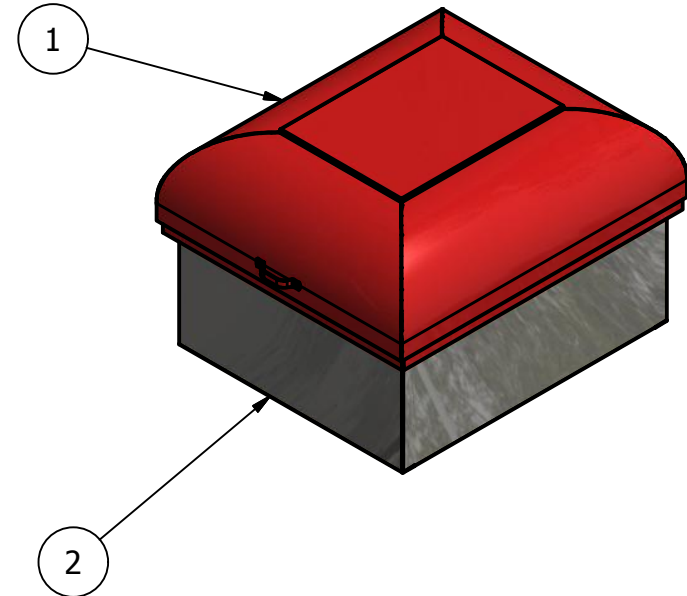
ITEM	QTY	PART NUMBER
1	1	369-P
2	1	369-C



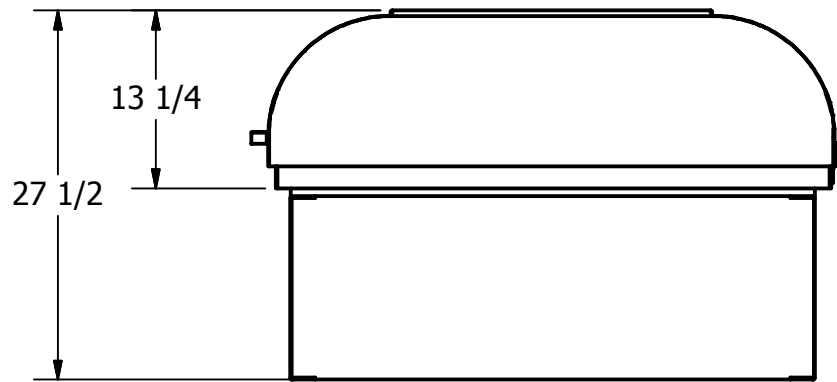
TOP VIEW




OPEN SIDE VIEW



FRONT VIEW



SIDE VIEW

DRAWN Shawn McDade		9/11/2013		 Van Loon Industries, Inc.	
MATERIAL					
MASS N/A				REV	
SIZE B	DWG NO 369-P				
SCALE			SHEET 1 OF 1		

4

3

2

1

B

B

A

A

